

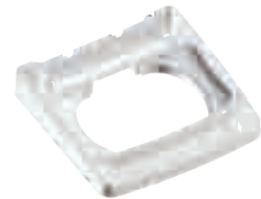
SSV-SINGLE VALVE



Refrigerator Container



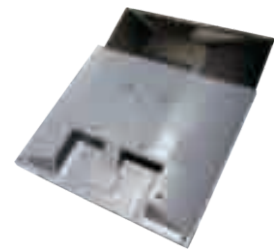
Panel Board



TV Stand



Back Cover



SSV-SINGLE VALVE is applied for the single cavity mold. It widely provides the solutions for the general resin and engineering resin.

SSV-SINGLE VALVE 专用于单点模具, 广泛适用于普通材料和各种工程材料。

Main Features

- Four different runner channels for the application.
- Pneumatic cylinder design.
- Nozzle locator can be extended to match the mold design.
- Standard design for the application.

4种流道尺寸可供选择
气压控制
主射嘴可根据模具需要加长
标准化规格设计

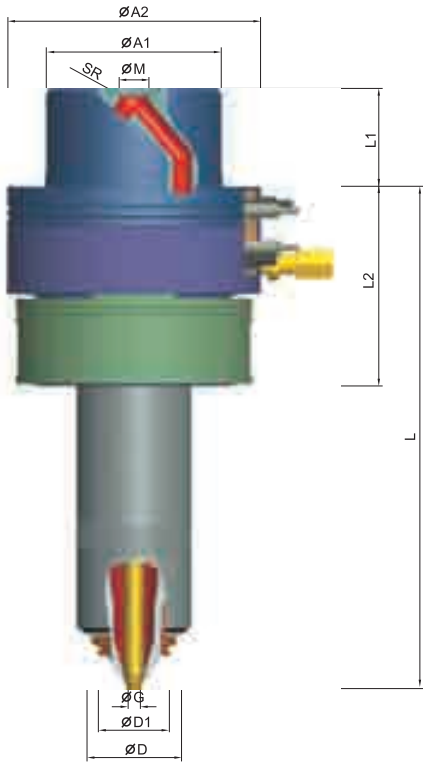
Main Solutions

- Valve system.
- Direct gate on the single cavity mold.
- Good performance for GF filled resin.
- High volume injection up to over 1200g.

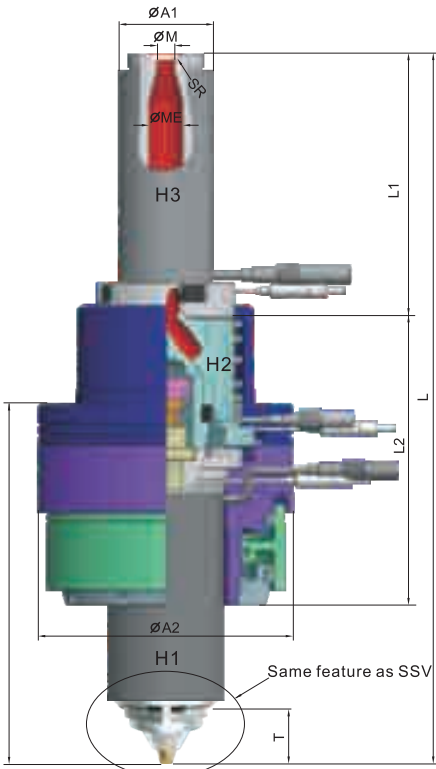
针阀系统
直接进胶
玻纤胶料填充表现优异
注塑量最大时可超过1200g



SSV-SINGLE VALVE



Division	SSV18	SSV25	SSV35	SSV45
Model Number	SSV-18-□□□□	SSV-25-□□□□	SSV-35-□□□□	SSV-45-□□□□
Injection Volume	UP to 100gr	UP to 240gr	UP to 800gr	Over 1200gr
SR	21	21	21	21
$\phi A1$	68	68	84	84
$\phi A2$	105	105	120	120
L	125-215	130-270	140-300	150-310
L1	34	34	46.5	46.5
L2	88	88	95	95
T	11	16	21	26
ϕM	8	8	14	14
$\phi M1$	5.5	5.5	9	9
$\phi M2$	8	10	12	22
ϕP	4	4	6	10
ϕG	1.5/2.0/2.5	1.5/2.0/2.5	2.5/3.0/4.0	4.0/5.0/6.0/7.0
ϕD	18.15	25.15	35.15	45.15
$\phi D1$	13	18	26	34
$\phi D2$	27.2	34.2	44.2	54.2
ΔH	28	28	30.5	30.5
$\Delta H1$	5.2	5.2	-0.3	-0.3
$\Delta H2$	20	20	20.5	20.5
Tube Heater(H1)	TH OS 18□□□36 4	TH OS 25□□□36 4	TH OS 35□□□36 4	TH OS 45□□□36 4
Thermocouple	NZ TP□□16□□52	NZ TP□□16□□52	NZ TP□□16□□52	NZ TP□□16□□52



Division	SSE18	SSE25	SSE35	SSE45
Model Number	SSE-18-□□□□	SSE-25-□□□□	SSE-35-□□□□	SSE-45-□□□□
Injection Volume	UP to 100gr	UP to 240gr	UP to 800gr	Over 1200gr
SR	21	21	21	21
$\phi A1$	34.2	34.2	44.2	44.2
$\phi A2$	105	105	120	120
L	Can be adjusted by request			
L1	Can be adjusted by request			
L2	116	116	135	135
T	11	16	21	26
ϕM	6	6	8	8
$\phi M1$	5.5	5.5	9	9
ϕME	10	10	16	16
ΔH	80	80	107.5	107.5
$\Delta H1$	57.3	57.3	64.8	64.8
$\Delta H2$	72	72	85.5	85.5
Tube Heater(H1)	TH OS 18□□□36 4	TH OS 25□□□36 4	TH OS 35□□□36 4	TH OS 45□□□36 4
Thermocouple	NZ TP□□16□□52	NZ TP□□16□□52	NZ TP□□16□□52	NZ TP□□16□□52
Tube Heater(H2)	THOS 45 035 36 4	THOS 45 035 36 4	THOS 65 045 36 4	THOS 65 045 36 4
Thermocouple	NZ TP IC [CA] 16 085 2	NZ TP IC [CA] 16 085 2	NZ TP IC [CA] 16 085 2	NZ TP IC [CA] 16 085 2
Tube Heater(H3)	TH OS 25□□□36 4	TH OS 35□□□36 4		
Thermocouple	NZ TP□□16□□52	NZ TP□□16□□52		

(SSE)

