

# TS SERIES



**TS SERIES** is the general single open nozzle that is developed to offer market competitiveness with the good quality and the high performances to cover a wide range application.

**TS SERIES** 通用单点开放系统，品质优良，性能卓越，应用广泛。

## Main Features

- Open type nozzle.
- Excellent thermal balance.
- Simple method assembly.
- Convenient maintenance.

开放式热咀  
优良的热量平衡性  
组装方便快捷  
维护简单

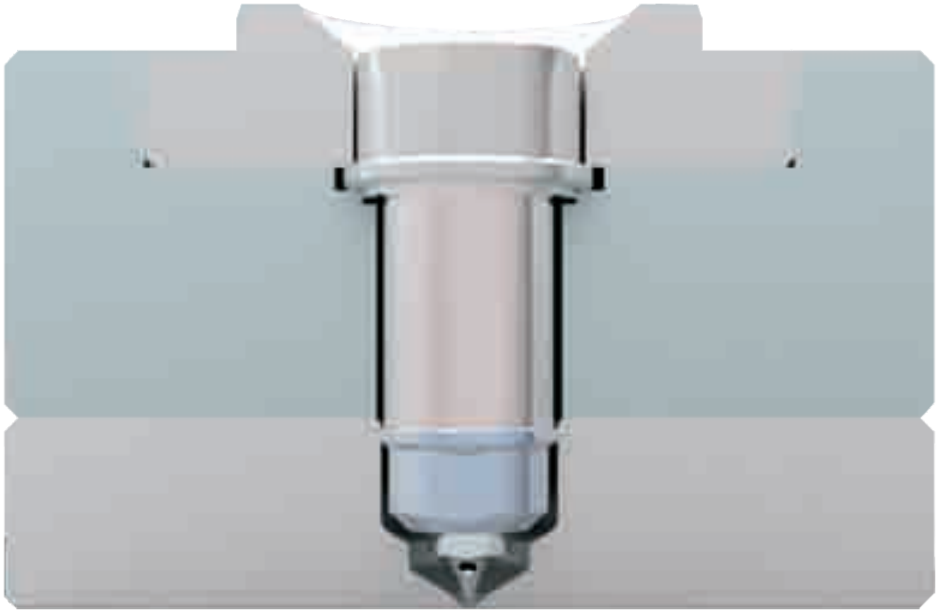
## Main Solutions

- Difference tip for the application.
- Fast delivery lead time.
- Standard parts for the quick replacement.
- Applicable to general and engineering plastics.

多种嘴尖规格  
交期短  
标准配件可快速更换  
适用于普通塑料及工程塑料

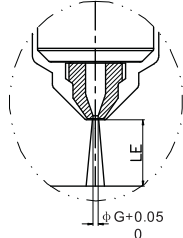
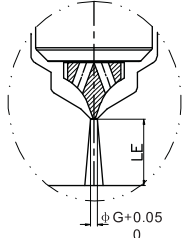
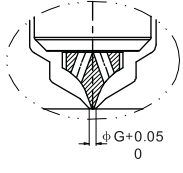
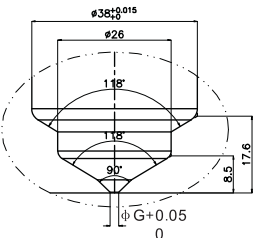
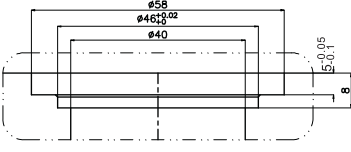
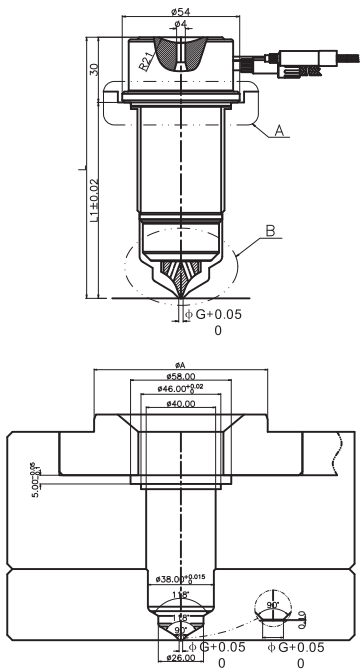


**TS SERIES**



CC TYPE      CL TYPE      OA TYPE

NOZZLE DIMENSIONS 热嘴尺寸			
			Unit:mm
MODEL	L	L1(L-30)	φ G
TS25CC10000	100	70	1.2/1.5/1.8
TS25CC11000	110	80	1.2/1.5/1.8
TS25CC12000	120	90	1.2/1.5/1.8
TS25CC13000	130	100	1.2/1.5/1.8
TS25CC14000	140	110	1.2/1.5/1.8
TS25CC15000	150	120	1.2/1.5/1.8
TS25CC16000	160	130	1.2/1.5/1.8



CC TYPE      CL TYPE      OA TYPE