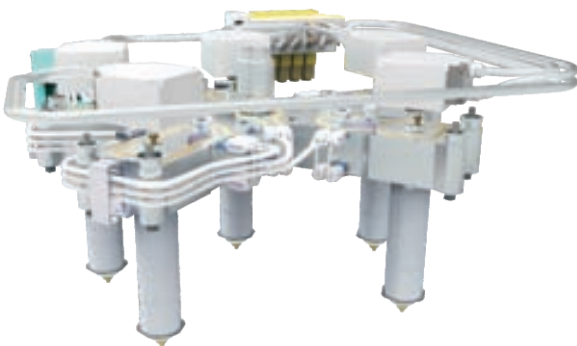




办公用品主要着重于牢固性和耐用性，先锐在设计和实际生产上为客户提供各种解决方案。

Office appliance is mainly focused on the firmness and the durability application, SINO offers the kinds of solutions with the practical design to meet the customers' satisfaction.

PRM-T

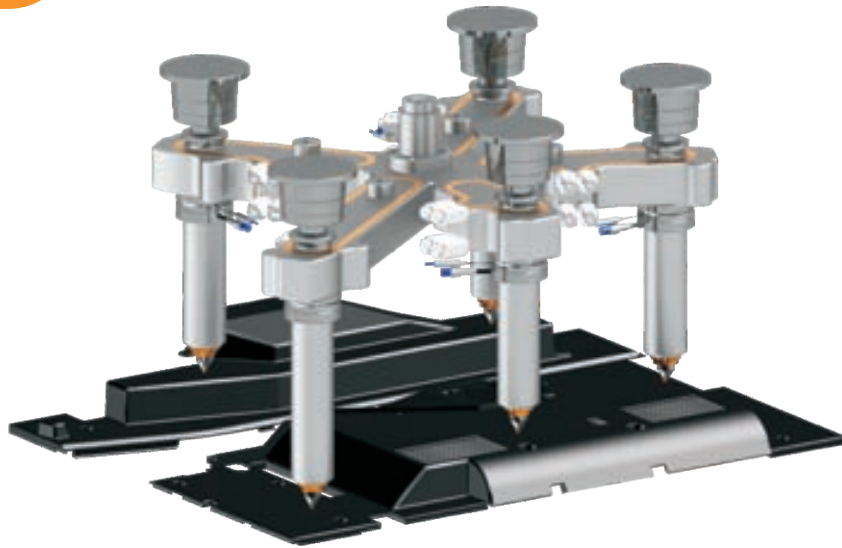


- 气路连接灵活
- 主射嘴&热咀与分流板螺牙式连接固定
- 可定制热咀长度和浇口大小
- Flexible Air channel connection.
- Screw type design for the nozzle and nozzle locator.
- Gate size and the nozzle's length can be customized.

PRM



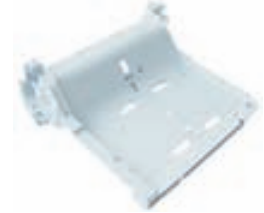
- 应用广泛
- 浇口大小、热咀长度可根据客户需求定制
- 加热器、感温线与热咀分体设计
- 维护方便
- Wide application
- The gate size and the nozzle length can be customized
- Heater, thermocouple and nozzle body can be replaced independently
- Convenient for the maintenance



Printer Tray
Material:PS
Weight:450G
Thickness:2.5mm
Nozzle type:PRM 35 VV



Paper Tray
Material:PS
Weight:300G
Thickness:2.3mm
Nozzle type:PRM 25 VC



Paper Tray
Material:PS
Weight:300G
Thickness:2.3mm
Nozzle type:PRM 25 VC



Small Top Cover
Material:PC+ABS+FR40
Weight:350G
Thickness:2.0mm
Nozzle type:SSV 25 VV



Base
Material:ABS
Weight:550G
Thickness:2.3mm
Nozzle type:PRM 25 VV



Top Cover
Material:PC+ABS+FR40
Weight:450G
Thickness:2.0mm
Nozzle type:SSV 35 VV

