

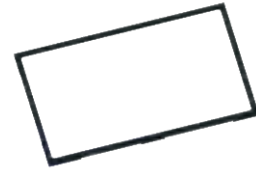
# PCM CO-IN SYSTEM



TV Front Panel



TV Frame



TV Front Panel



TV Frame& Front Panel



**PCM CO-IN SYSTEM** is the special design for the core side injection, it is widely offered for the TV cabinet or frame solution.

**PCM CO-IN SYSTEM** 系统为倒装模具而特别研发的热流道解决方案, 广泛应用于电视机胶框、线框类产品。

## Main Features

- Two steps nozzle size.
- Multi-stage heaters control the heat balance.
- Small pitch between each nozzles.
- End nozzle with the copper sleeve heater design.

热嘴两段式设计  
多段发热，温度控制均衡  
热咀小间距设计  
热咀末端使用铜套发热圈

## Main Solutions

- Valve system.
- Copper sleeve heater at the front nozzle for the heat balance.
- Small machining size on the gate area.
- Wide application on TV front cabinet solutions.

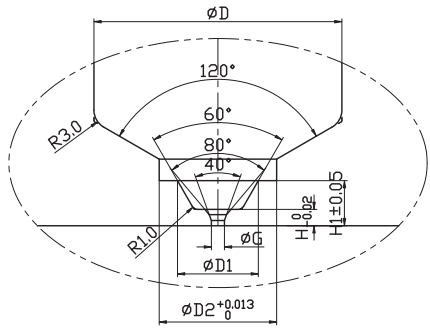
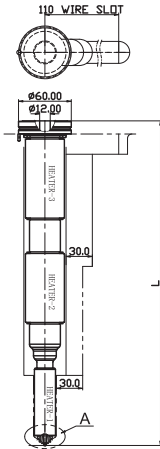
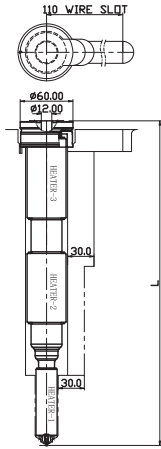
针阀系统  
热咀末端使用铜套发热圈，热量均衡  
咀尖位置加工位小  
广泛应用于电视机前框



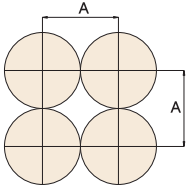
# PCM CO-IN SYSTEM



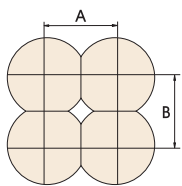
NOZZLE DIMENSIONS & Gate Detail 热嘴和浇口尺寸								Unit:mm
MODEL	L		D	D1	D2	H	H1	G
PCM35-18	MIN	265	26.00	9.00	13.00	2.00	3.60	1.8/2.0
	MAX	654.99						
PCM35-25	MIN	284	38.00	12.40	18.00	2.50	6.90	2.0/2.5
	MAX	673.99						



DETAIL-A



Square Space Between (Open System)



Rectangle Space Between (Valve System)

Cylinder	Gate Minimum Space (A/B)			Unit: mm
	Between N/L & Nozzle	Between Nozzles		
		Valve Square	Valve Rectangle	
VCP60	75	94/94	74/74	

