

Lips



Cap



Pocket



Disc



S-RHEO SYSTEM is the optimized design with the copper sleeve heater & special tip for the multiple cavity mold. Best performance for the color change, typically applying for the package industry.

S-RHEO SYSTEM 系统采用铜套发热圈和特别设计的咀尖, 尤其适用于多穴模具, 换色效果突出, 常使用于包装业。

Main Features

- Slim nozzle body.
- Special materials for the tip.
- Copper sleeve heater for the application.
- Excellent heat balance design.
- Standard design for the application.

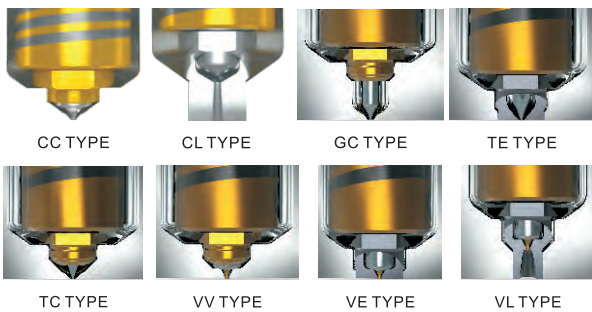
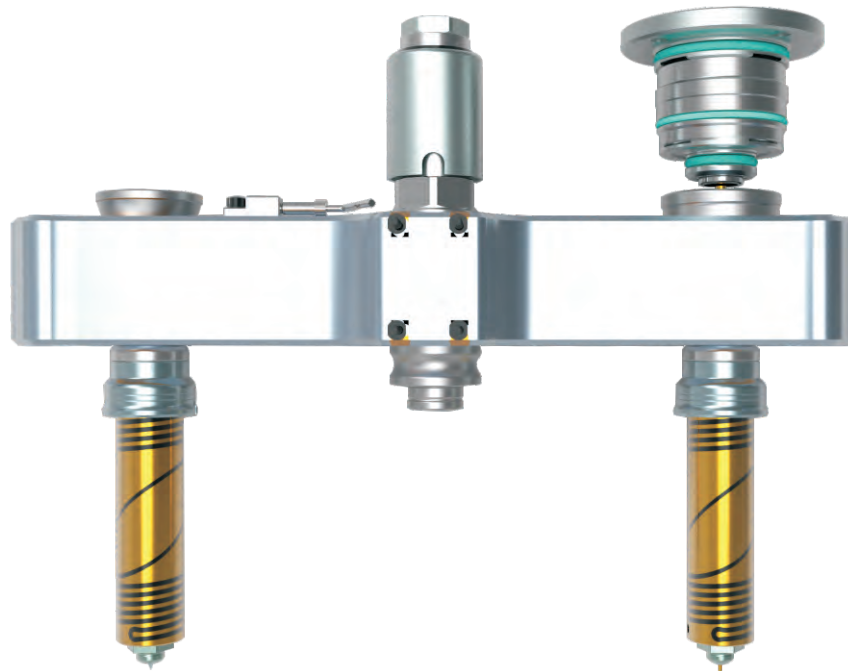
瘦长的咀身设计
咀尖采用特殊材料加工
使用铜套发热圈
出色的热平衡设计
标准化规格设计

Main Solutions

- Open & valve system for the applications.
- Copper sleeve heater for the good heat balance on the nozzle.
- Three different runner sizes for the application.
- Color changeable design.

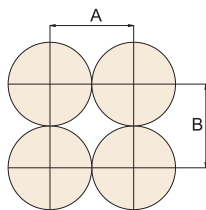
开放和针阀可供选择
铜套发热圈, 热传递均衡
3种不同的流道尺寸设计
可换色

S-RHEO SYSTEM

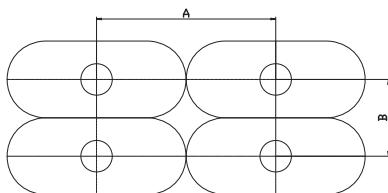


NOZZLE DIMENSIONS 热嘴尺寸							
Unit:mm							
MODEL	SIZE	LENGTH	CHANNEL DIA		GATE		
			OPEN	VALVE	CC,TC	GC,TE,TL	VV,VE,VL
S-RHEO	12	60-140	4	5	0.6/0.8	0.8	0.8/1.0
	15	60-140	5	6	0.8/1.0	1.0	1.0/1.2
	18	60-160	6	7	0.8/1.0/1.2	1.0/1.2	1.2/1.5

*Standard nozzle length for the application



Square Space Between



Rectangle Space Between

Types	Gate minimum space(A) unit:mm
	Open Square(AB)
S-Rheo12	27/27
S-Rheo15	30/30
S-Rheo18	34/34

Cylinder	Gate minimum space(A) unit:mm		
	Between N/L & Nozzle	Between Nozzles	
		A	B
VCP40	56	74	74
Elsvcp50	50	92	40

